



7V

TMI8118

1.6V-7.2V

0.1 A

$R_{DS(ON)}$:

0.53 SOP8 TMI8118S

0.55 SOT23-6 TMI8118

TMI8118

TMI8118/8118S

/ / /

SOP8 (TMI8118S)

SOT23-6 (TMI8118)

TMI8118S

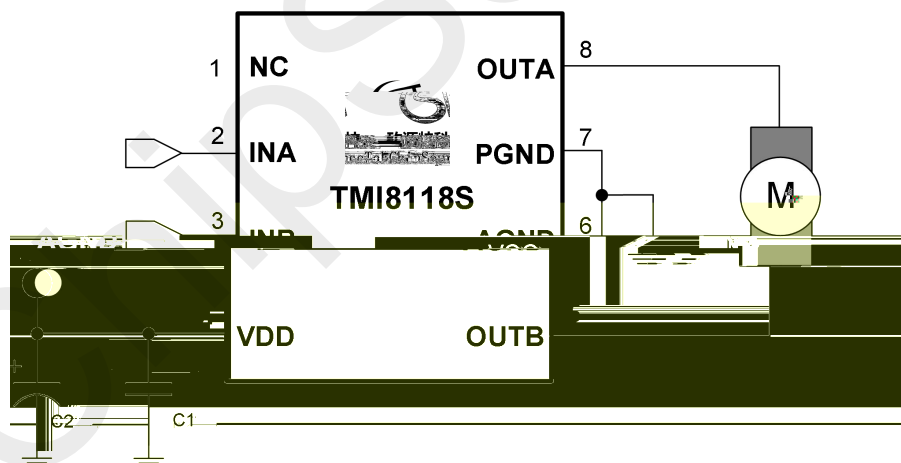
SOP8 TMI8118

SOT23-6 ROHS

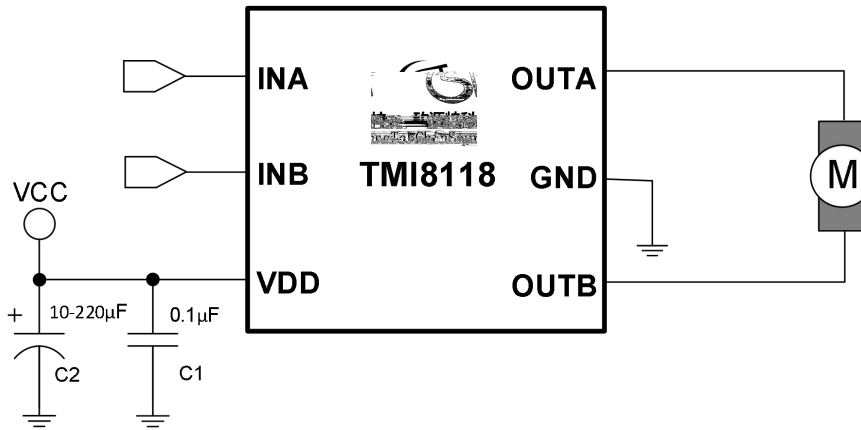
100%

TMI8118

TMI8118



1. SOP8



2. SOT23-6

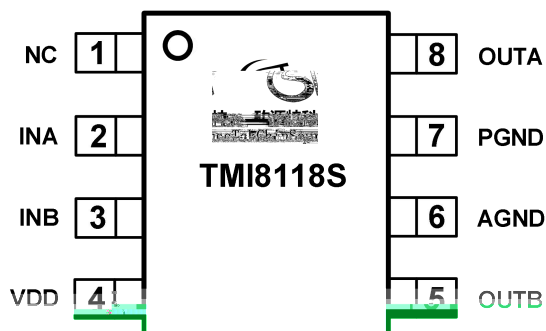
ChipSourceTek



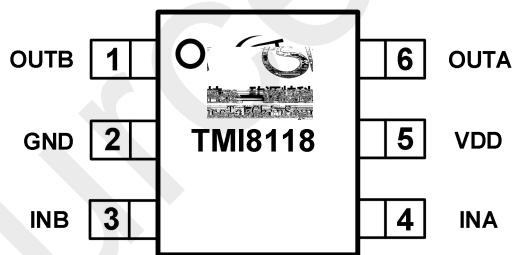
(1) (2)

| | | | | |
|-----------|--------------------|------|------|-----|
| | VDD | -0.3 | 7.2 | V |
| (SOP8) | I _{PEAK} | 0 | 2.0 | A |
| (SOT23-6) | I _{PEAK} | 0 | 2.0 | A |
| INA INB | V _{INA/B} | -0.3 | VDD | V |
| | T _{OP} | -30 | 85 | C |
| | T | -55 | 150 | C |
| | T _J | | 150 | C |
| (SOP8) | P _D | | 0.96 | W |
| (SOP8) | J _A | | 130 | C/W |
| (SOT23-6) | J _A | | 220 | C/W |
| (10) | | | 260 | C |

TMI8118



SOP8
TMI8118S



SOT23-6
TMI8118

| | | | |
|----------|---------|-------------------|-------|
| TMI8118S | SOP8 | TMI8118S XXXXX | 3000/ |
| TMI8118 | SOT23-6 | TFDXXX | 3000/ |

TMI8118S TMI8118

R HS



TMI8118

SOP8

| | | | |
|---|------|---|--|
| | | / | |
| 1 | NC | | |
| 2 | INA | | |
| 3 | INB | | |
| 4 | VDD | | |
| 5 | OUTB | | |
| 6 | GND | | |
| 7 | GND | | |
| 8 | OUTA | | |

SOT23-6

| | | | |
|---|------|---|--|
| | | / | |
| 1 | OUTB | | |
| 2 | GND | | |
| 3 | INB | | |
| 4 | INA | | |
| 5 | VDD | | |
| 6 | OUTA | | |

ESD

| | | | |
|-----------|------------|------|---|
| V_{ESD} | H a M de a | 2000 | V |
|-----------|------------|------|---|

JEDEC ec ca JS-001

| | | | | |
|-----------|--------------|-----|-------------|---|
| | VDD | 1.6 | 7.2 | V |
| | $V_{INA/B}$ | 0 | VDD | V |
| (SOP8) | I_{OUT_1} | 0 | 1.45@VDD=5V | A |
| (SOT23-6) | I_{OUT_2} | 0 | 1.35@VDD=5V | A |

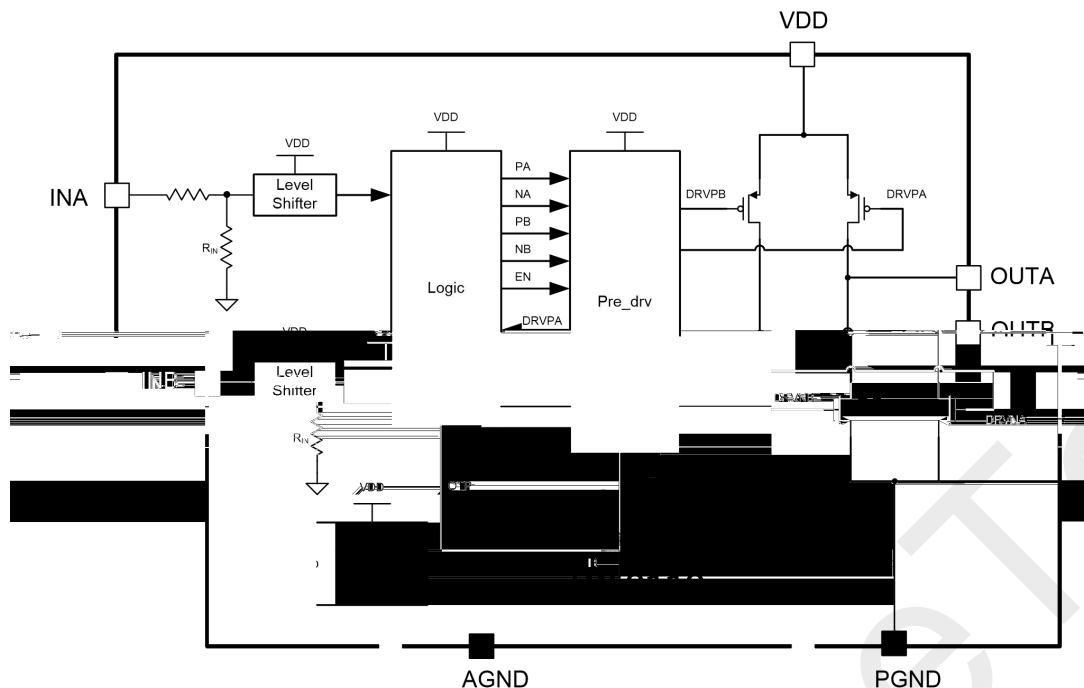
VDD=1.8V, T_A = 25°C.

V_{ea}

1

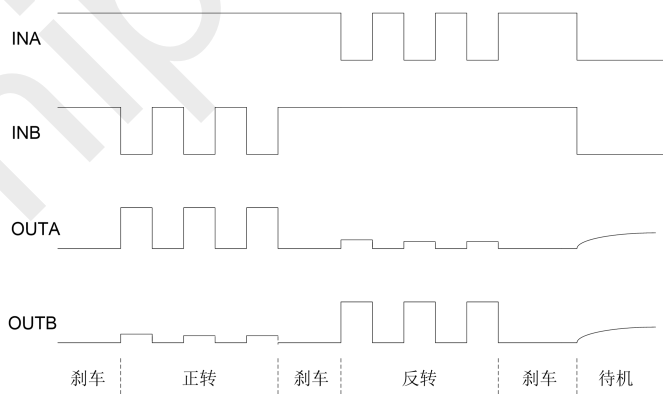


TMI8118



3. TMI8118/TMI8118S

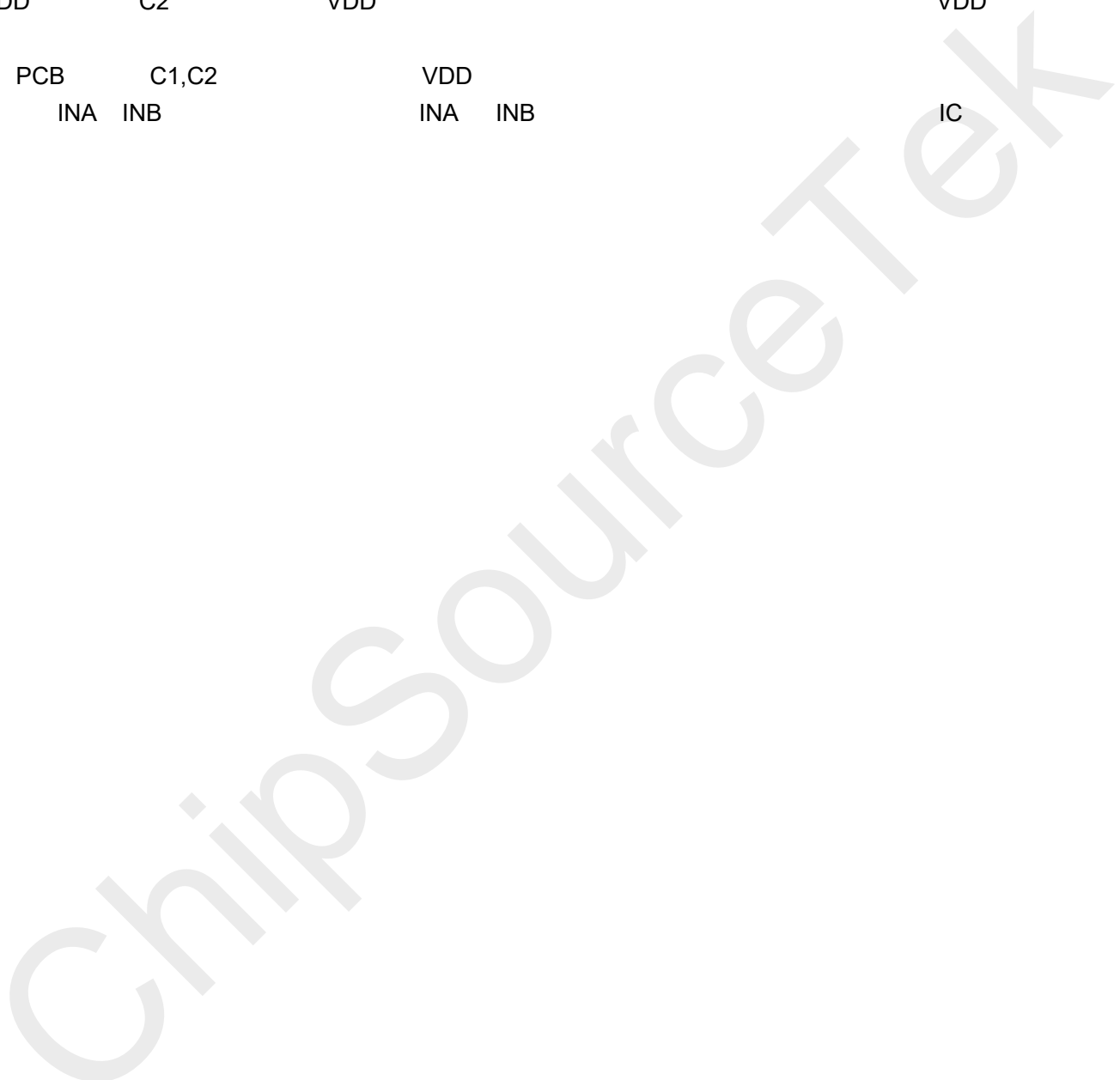
| INA | INB | OUTA | OUTB | |
|-----|-----|------|------|--|
| H | L | H | L | |
| L | H | L | H | |
| H | H | L | L | |
| L | L | H -Z | H -Z | |





TMI8118

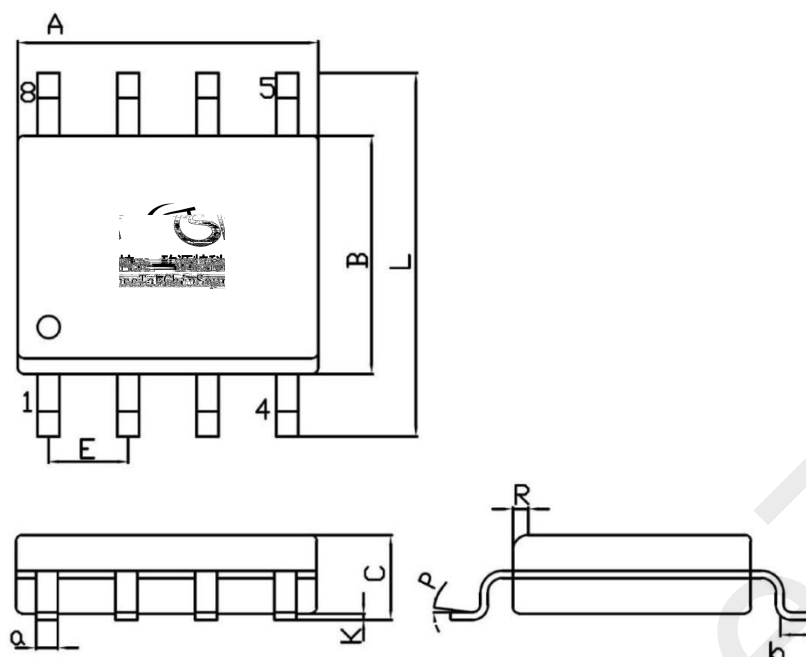
1. OUTA/OUTB , IC ,
IC
2. , IC
3. VDD VDD GND C1 C2 VDD
1. VDD IC
- 2.
3. VDD C2 VDD VDD
4. PCB C1,C2 VDD
INA INB INA INB IC
P/N





TMI 8118S

SOP8



Unit: mm

| Symbol | Dimensions In Millimeters | | Symbol | Dimensions In Millimeters | |
|--------|---------------------------|------|--------|---------------------------|------|
| | Min | Max | | Min | Max |
| A | 4.70 | 5.10 | C | 1.35 | 1.75 |
| B | 3.70 | 4.10 | a | 0.35 | 0.49 |
| L | 6.00 | 6.40 | R | 0.30 | 0.60 |
| E | 1.27 BSC | | P | 0° | 7° |
| K | 0.12 | 0.22 | b | 0.40 | 1.25 |

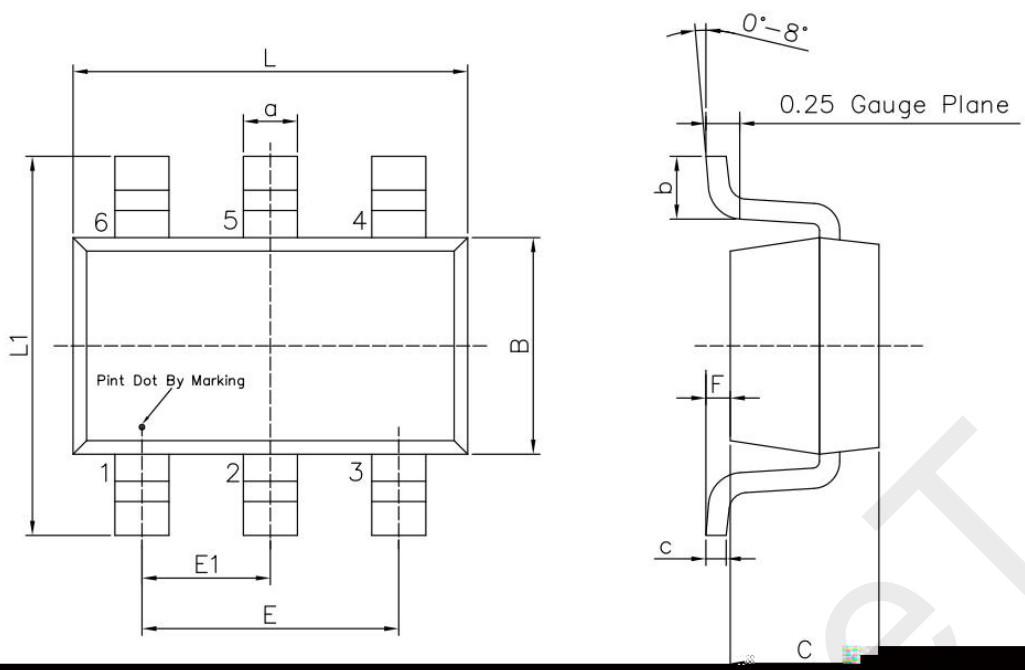
Note:

- 1) All dimensions are in millimeters.
- 2) Package length does not include mold flash, protrusion or gate burr.
- 3) Package width does not include inter lead flash or protrusion.
- 4) Lead popularity (bottom of leads after forming) shall be 0.10 millimeters max.
- 5) Pin 1 is lower left pin when reading top mark from left to right.



TMI 8118

SOT23-6



Unit: mm

| Symbol | Dimensions In Millimeters | | Symbol | Dimensions In Millimeters | |
|--------|---------------------------|------|--------|---------------------------|------|
| | Min | Max | | Min | Max |
| L | 2.82 | 3.02 | E1 | 0.85 | 1.05 |
| B | 1.50 | 1.70 | a | 0.35 | 0.50 |
| C | 0.90 | 1.30 | c | 0.10 | 0.20 |
| L1 | 2.60 | 3.00 | b | 0.35 | 0.55 |
| E | 1.80 | 2.00 | F | 0 | 0.15 |

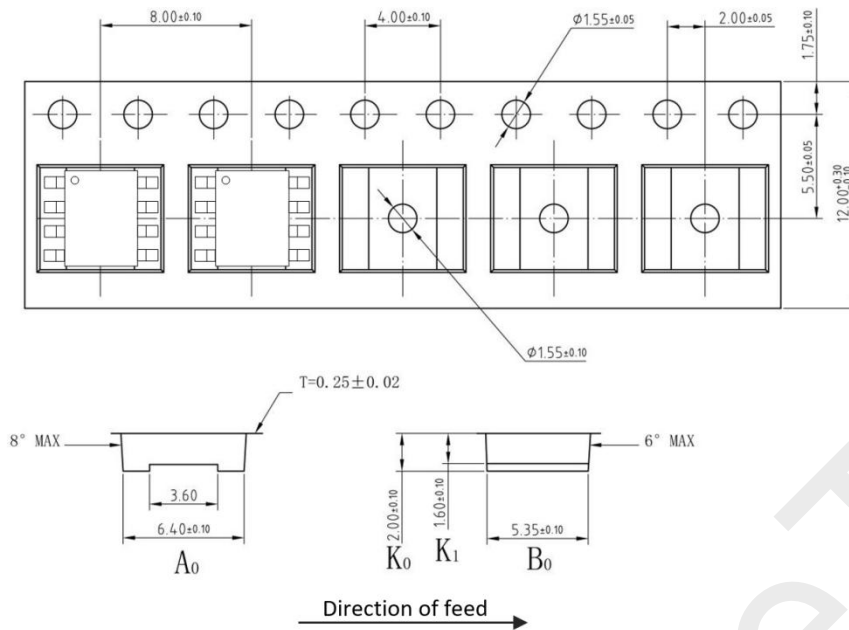
Note:

- 1) All dimensions are in millimeters.
- 2) Package length does not include mold flash, protrusion or gate burr.
- 3) Package width does not include inter lead flash or protrusion.
- 4) Lead popularity (bottom of leads after forming) shall be 0.10 millimeters max.
- 5) Pin 1 is lower left pin when reading top mark from left to right.

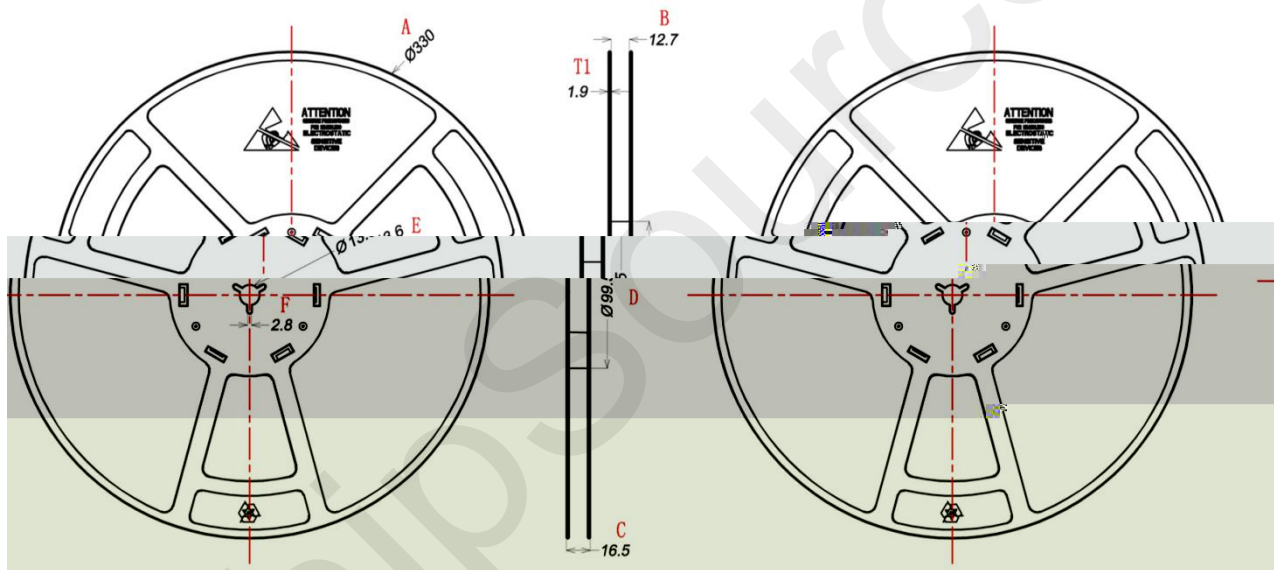


TMI 8118

SOP8



SOP8



Unit: mm

| A | B | C | D | E | F | T1 |
|------------------|----------------|----------------|---------------------|---------------------|---------------|---------------|
| $\phi 330 \pm 1$ | 12.7 ± 0.5 | 16.5 ± 0.3 | $\phi 99.5 \pm 0.5$ | $\phi 13.6 \pm 0.2$ | 2.8 ± 0.2 | 1.9 ± 0.2 |

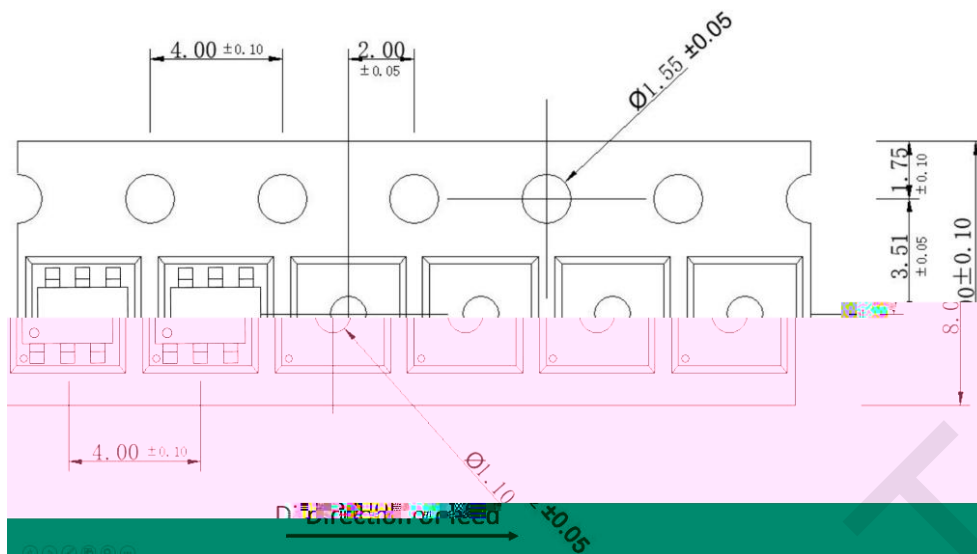
Note:

- 1) All Dimensions are in Millimeter
- 2) Quantity of Units per Reel is 3000
- 3) MSL level is level 3.

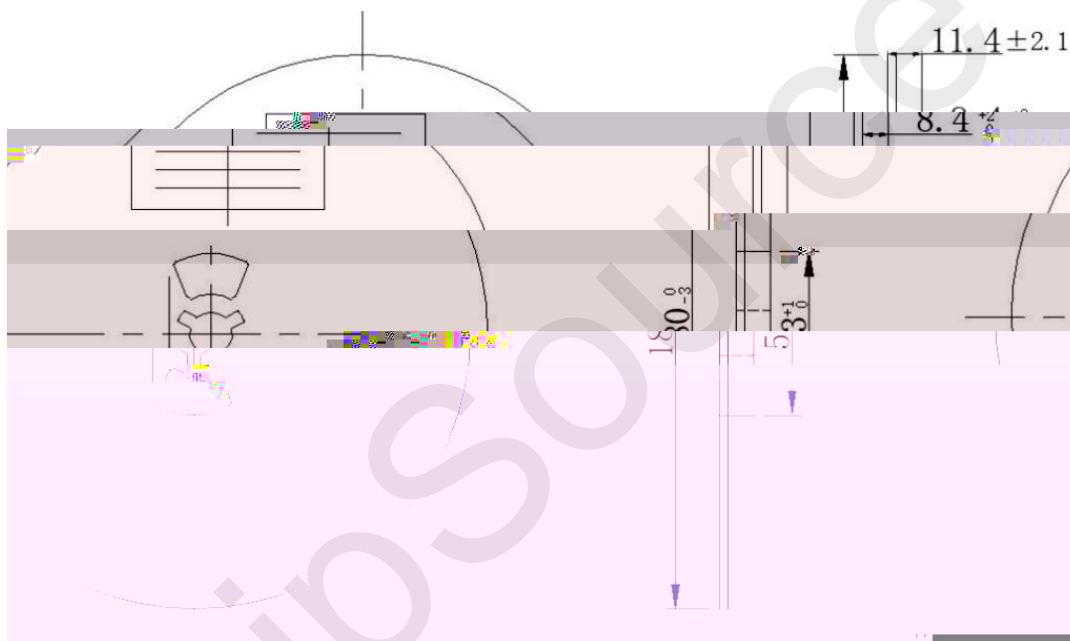


TMI 8118

SOT23-6



SOT23-6



Note:

- 4) All Dimensions are in Millimeter
- 5) Quantity of Units per Reel is 3000
- 6) MSL level is level 3.