



LS2101A

LS2101A

LS2101A

1 1

LDO 2.8V 6V ,

LVR
VDD=3V
2.5uA

64mS

50pF

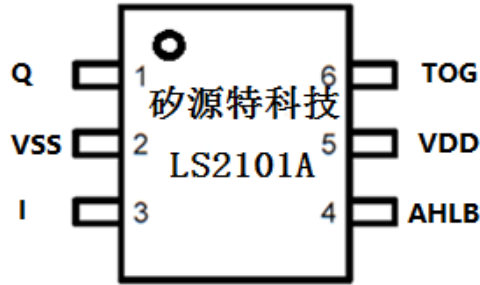
1



0.3



LS2101A



		I/O	
1	Q	O	I
2	VSS	P	
3	I	I	
4	AHLB	I	0-> 1->
5	VDD	P	
6	TOG	I	0-> 1->

	T_{OP}	-	-40 +85	
	T_{STG}	-	-50 +125	
	VDD	$T_a=25^\circ C$	VSS-0.3 VSS+6	V
	V_{IN}	$T_a=25^\circ C$	VSS-0.3 VDD+0.3	V
ESD (HBM)	ESD	-	4000	V

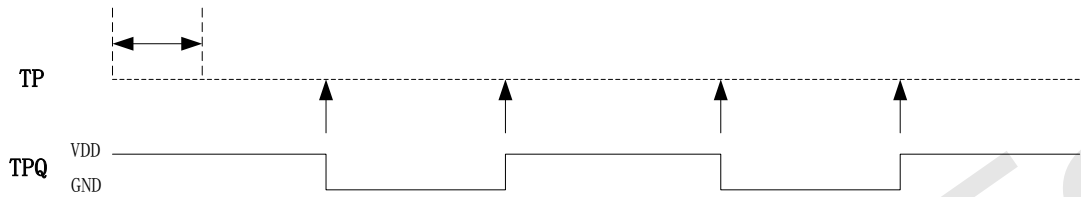
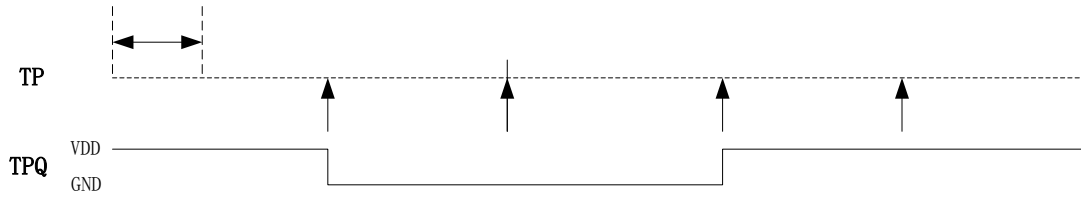
DC / AC

= 25

	VDD		2.8	3.3	6	V
	I_{OP}	, VDD=3V	-	-		



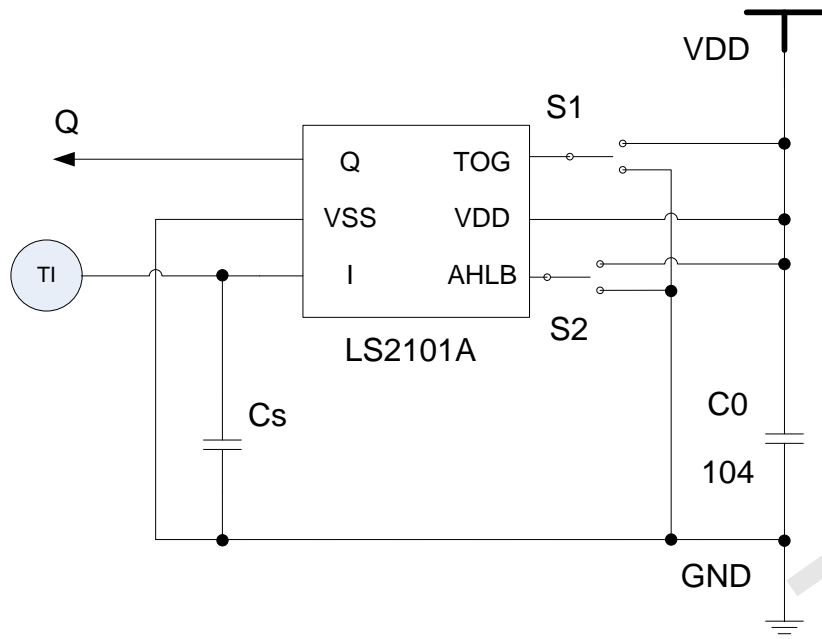
LS2101A



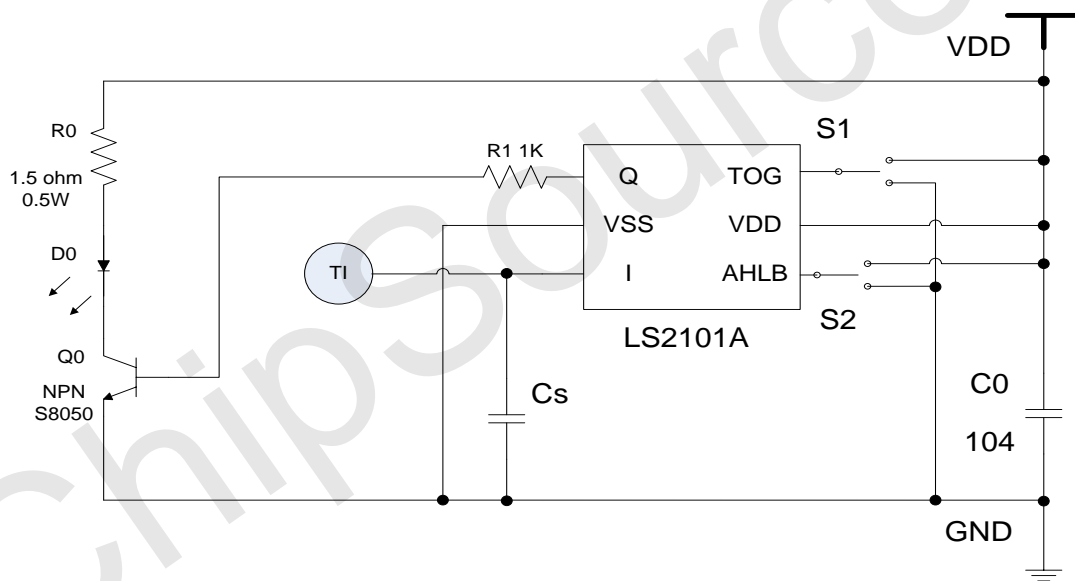
AHLB	0
TOG	0



LS2101A



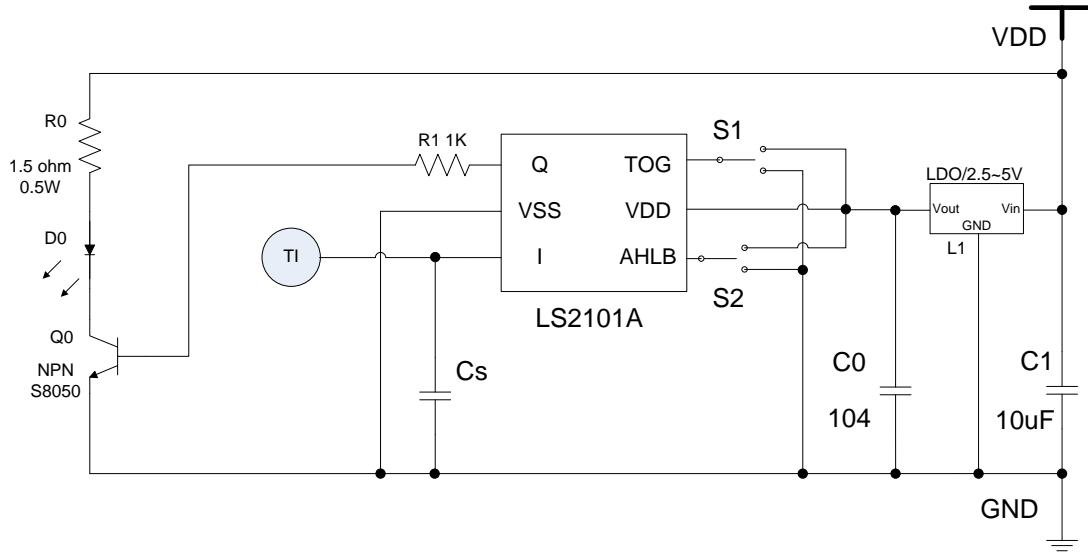
1



2 LED



LS2101A



3

LED

1. PCB IC
 - 2.
 3. PCB
 4. Cs Cs Cs
 - 1 50pF,
 5. 3 LDO IC LDO
- / LED

R0		1.5Ω
R1		1K
Cs		1 50pF
C0		104
C1		10uF
Q0	NPN	8050
D0		LED
S1		
S2		



LS2101A

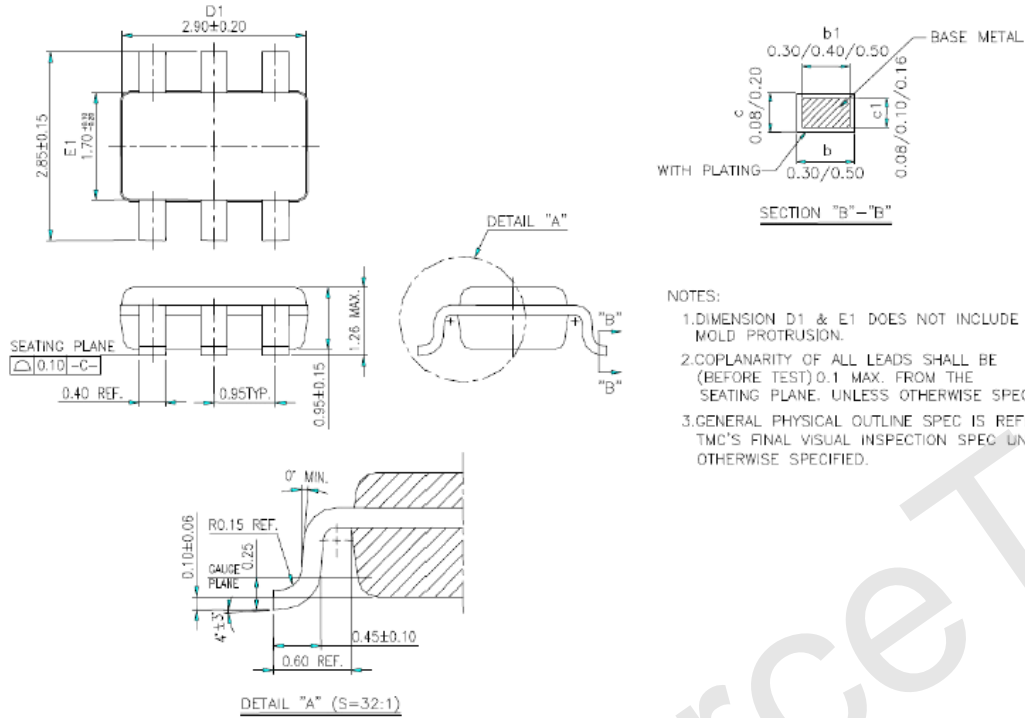
PCB

- 1.
2. PCB IC
1mm 0.15mm~0.2mm
3. 20%
2mm
- 1mm
- 4.
5. VDD VSS IC
6. Cs
7. Cs X7R NPO
NPO
8. LED
9. 16S

ChipSourceTek



LS2101A



SOT23-6