



5.5W EMI AB/D

**XS9971**

ChipSourceTek



## 5.5W EMI AB/D

### XS9971

- XS9971 EMI AB/D
  - 5.5V
  - 5.5W VDD=5V,
  - THD<10%
  - 1 20Hz 20KHz)
- XS9971
- XS9971
  
- XS9971 ESOP8
  
- XS9971
  
- XS9971
- XS9971

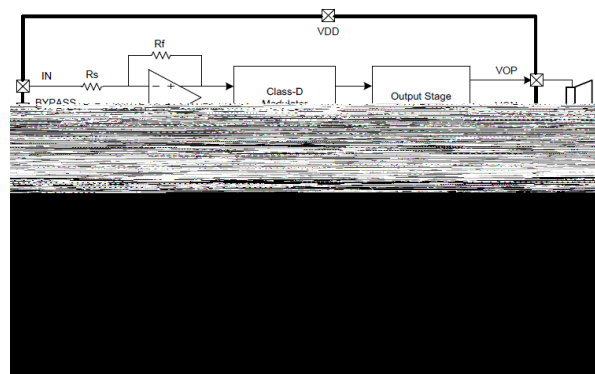
### XS9971

- EMI
- AB/D
  - VDD=5.5V RL=2 Po=5.5W THD+N
  - VDD=5V RL=4 Po=3W THD+N
- 2.5V 7V
- POP
- ESOP8

### XS9971

- 
- 
- 

### XS9971

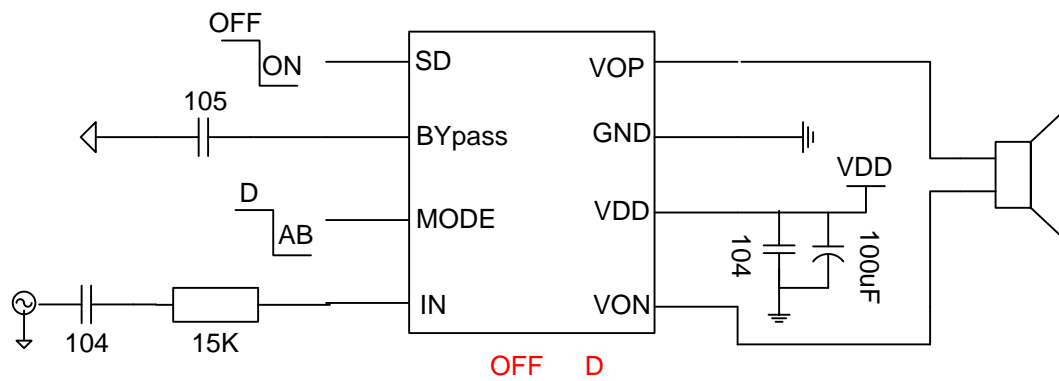


# XS9971

1

			PCS	
XS9971	ESOP8		100/	
XS9971	ESOP8		4000/	

# XS9971

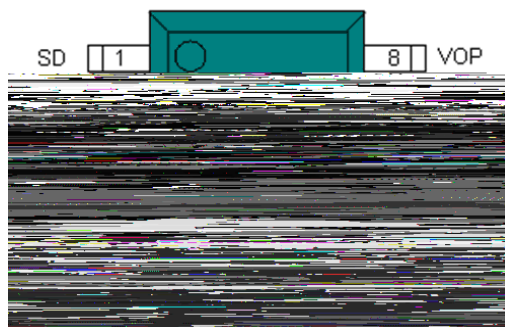


# XS9971

:

$C_i$  0.1 $\mu$ F , -  
 $C_s$  ESR ( 1 $\mu$ F), VDD=5V ESR 10 $\mu$ F  
 VDD 1.5mm  
 $C_b$  BYPASS VDD/2  $C_b$  (1 $\mu$ F)

# XS9971



2 XS9971



## XS9971

### 2 XS9971

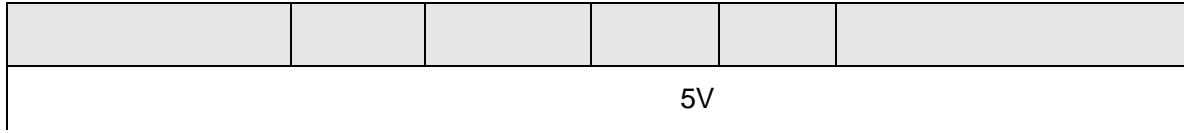
1	SD	,
2	BYP	
3	MODE	D AB
4	IN	
5	VON	
6	VDD	
7	GND	
8	VOP	

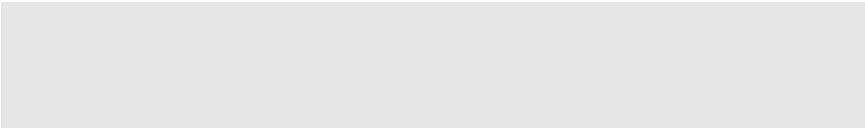
### 3

	2.5	7	V	
	-65	150	°C	
	-0.3	VDD	V	
ESD	1000	4000	V	HBM
	150		°C	150
	2.5	6.5	V	
JC(SOP)		35	°C/W	
JA(SOP)		140	°C/W	
		250	°C	15

---

4 AB/D







1uF

Ci

XS9971

$$f_c = \frac{1}{2\pi R_i C_i}$$

$$C_i = \frac{1}{2\pi R_i f_c}$$

±10

Speaker

100Hz 150Hz

1/2V<sub>DD</sub>

(CBYP)

XS9971

C<sub>B</sub>

BYP

C<sub>B</sub>

PSRR

/

0.1uF 1uF

C<sub>B</sub>

1/2V<sub>DD</sub>

1.0uF C<sub>B</sub>

Ci( 0.033uF 0.1uF)

C<sub>B</sub> 0.1uF

1.0uF

C<sub>B</sub>

XS9971

XS9971

100mm

